

HOUSE OF **PERFECT** 50 YEARS OF LEGACY

**PARANAA**<sup>®</sup>  
**PUMPS**

# Multistage Pumps



**PARANAA**<sup>®</sup> Vertical multistage pumps are built intelligently for a variety of applications. The pump series classify as non-self priming centrifugal pumps with multiple stages to achieve different head and discharge. All our pumps are fitted with Energy efficient motors which conform to IEC standard.

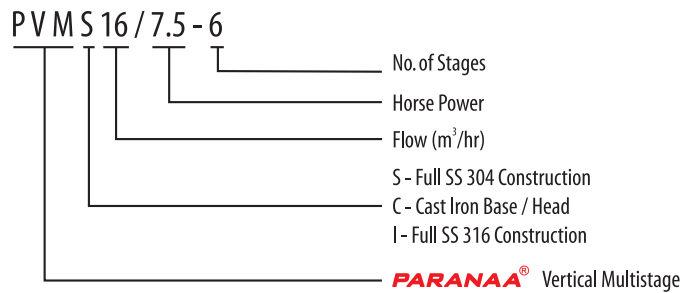
## The Pump

The construction of these pumps are robust and are built for long usage. The stainless steel Impellers & Diffusers are welded using state-of-the-art Capacitor discharge Projection welding machines and laser welding machines. The pump top and bottom chambers are made of Investment Castings. In order to suit a variety of applications and usage our Vertical Multistage Pumps come in three different material of construction. Kindly refer to our application chart to select the right model.

## The Motor

All our pumps are fitted with Energy efficient motors which conform to IEC standard. Customers have the option of requesting for a higher efficiency motor like IE2 or IE3.

## Product Reference



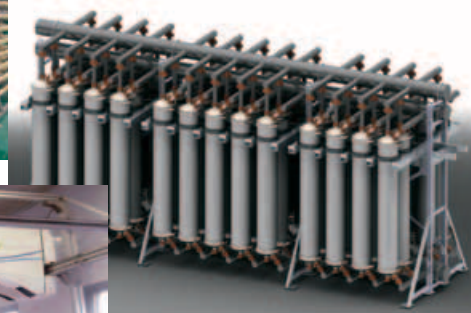
Boiler Feed



Filtration Systems



Hotels & Resorts



Reverse Osmosis



Apartments & Commercial Buildings



Car Wash



Green Houses



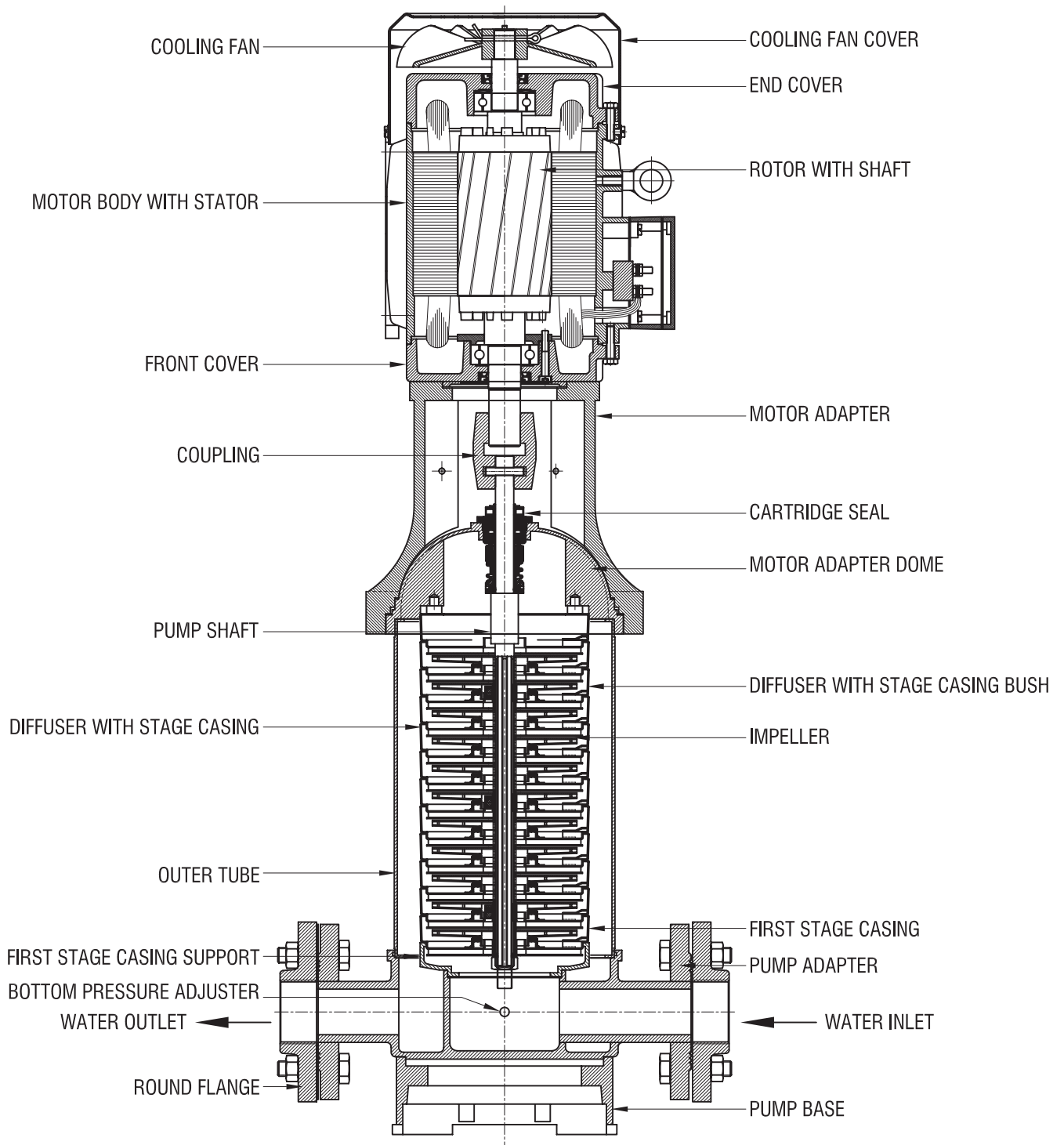
Irrigation & Distribution

## Variety of Applications

APPLICATIONS	PVMS	PVMC	PVMI
<b>Water Supply, Distribution</b>			
Distribution from Waterworks	●	●	○
Pressure boosting in Mains	●	●	○
Pressure boosting in High Rise Buildings, Apartments, Hotels etc.	●	●	○
Pressure boosting for Industrial Water Supply	●	●	○
Filtration and Transfer at Waterworks	●	●	○
<b>Industries</b>			
<b>Liquid transfer in ...</b>			
Machine Tools - Coolant lubricant	●		●
Boiler feed and condensate systems	●		○
Cooling & Air-conditioning systems	●	●	○
Aqua-farming	●	●	○
<b>Pressure boosting in...</b>			
Water Supply Systems	●	●	●
Car Washing Stations	●	●	○
Cleaning Systems	●	●	●
Fire Fighting Systems	●	●	
<b>Transfer of...</b>			
Alcohols and Oils	●		●
Acids and alkalis	●		●
Coolants and glycols	●		
<b>Water Treatment</b>			
Reverse Osmosis Systems	●		●
Distillation Systems	●		●
Micro Filtration Systems	●		●
Softening Systems	●		●
Swimming Pools	●		○
<b>Irrigation Systems</b>			
Field and Glass House Irrigation	●	●	○
Sprinkler Irrigation	●	●	○
Drip Irrigation	●	●	○

● Recommended models

○ Alternate better model



# PVMS - Vertical Multistage Pumps



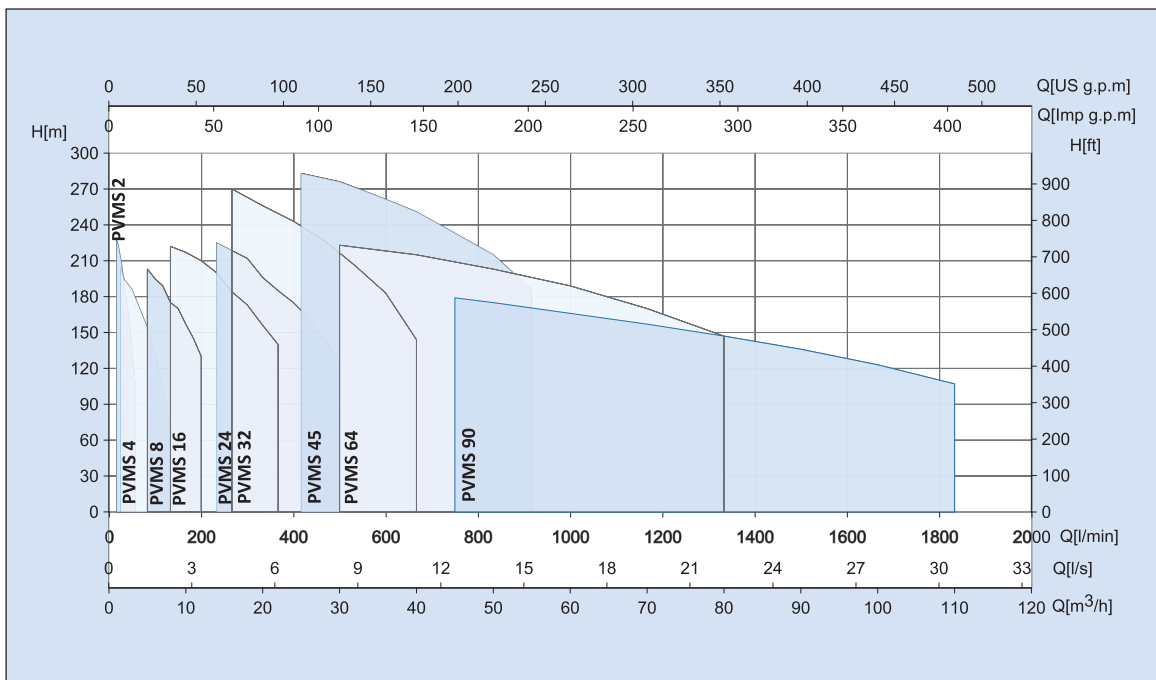
## Characteristics

- Energy efficient motor
- Robust pump construction
- Liquid temperature: -15°C to 99°C
- Ambient temperature upto 40°C

## Materials of Construction

Part Name	Material
Motor Housing	Aluminium / Cast Iron
Pump Base & Adaptor	Cast Iron
Pump Chamber	Cast Iron / SS 304 / SS 316
Impeller	SS 304 / SS 316
Diffuser	SS 304 / SS 316
Shaft	SS 304 / SS 316
Mechanical Seal	Tungsten Carbide Vs. Graphite

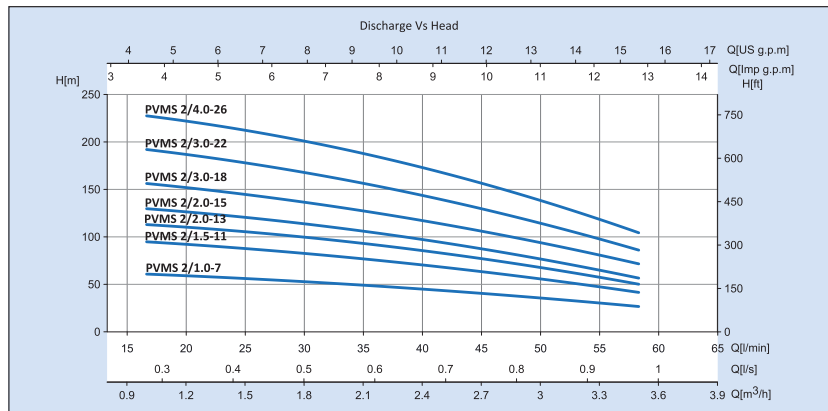
## Family Curve



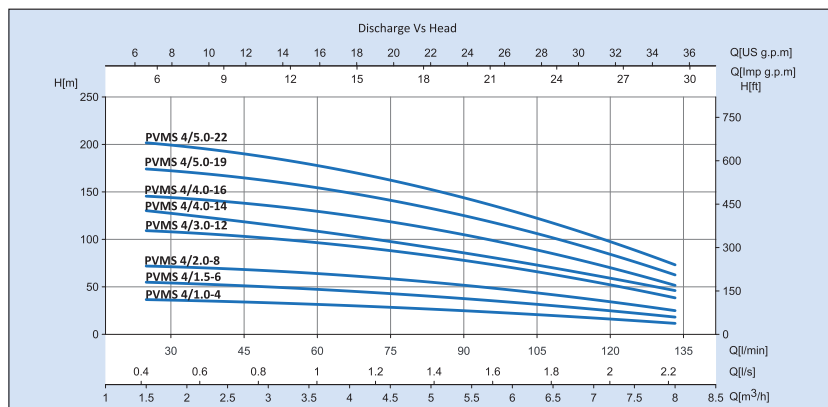
## Performance

Three Phase, 3000 RPM (Syn.), 50 Hz, 415 V

S.No.	Product Name	HP	Stage	Pipe Size (inches) BSP	Total Head in Meters	Discharge (m <sup>3</sup> /h)								
						1	1.2	1.6	2	2.4	2.8	3.2	3.5	
1	PVMS 2/1.0-7	1.0	7	1" x 1"	Total Head in Meters	61	59	55	50	45	39	33	26	PVMS 2
2	PVMS 2/1.5-11	1.5	11	1" x 1"		95	92	86	79	70	61	51	41	
3	PVMS 2/2.0-13	1.5	13	1" x 1"		113	111	103	94	86	75	62	49	
4	PVMS 2/2.0-15	2.0	15	1" x 1"		130	126	119	108	96	86	69	56	
5	PVMS 2/3.0-18	3.0	18	1" x 1"		156	152	143	130	116	103	86	71	
6	PVMS 2/3.0-22	3.0	22	1" x 1"		192	187	175	160	143	125	105	85	
7	PVMS 2/4.0-26	4.0	26	1" x 1"		227	223	209	190	174	153	123	105	

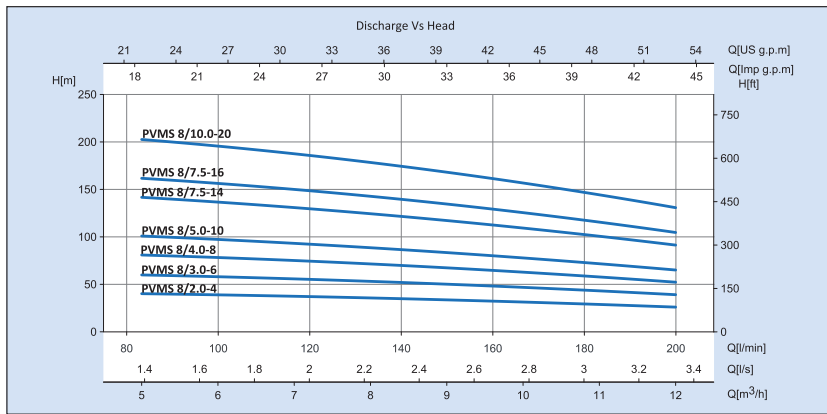


S.No.	Product Name	HP	Stage	Pipe Size (inches) BSP	Total Head in Meters	Discharge (m <sup>3</sup> /h)								
						1.5	2	3	4	5	6	7	8	
1	PVMS 4/1.0-4	1.0	4	1 1/4" x 1 1/4"	Total Head in Meters	37	35	33	31	26	23	16	12	PVMS 4
2	PVMS 4/1.5-6	1.5	6	1 1/4" x 1 1/4"		56	52	50	46	39	35	26	18	
3	PVMS 4/2.0-8	2.0	8	1 1/4" x 1 1/4"		72	70	68	62	53	48	36	25	
4	PVMS 4/3.0-12	3.0	12	1 1/4" x 1 1/4"		111	105	101	93	82	72	55	38	
5	PVMS 4/4.0-14	4.0	14	1 1/4" x 1 1/4"		132	122	118	108	79	85	64	44	
6	PVMS 4/4.0-16	4.0	16	1 1/4" x 1 1/4"		148	140	136	124	111	97	74	51	
7	PVMS 4/5.0-19	5.0	19	1 1/4" x 1 1/4"		178	166	163	147	132	117	88	62	
8	PVMS 4/5.0-22	5.0	22	1 1/4" x 1 1/4"		205	194	186	170	154	132	102	73	



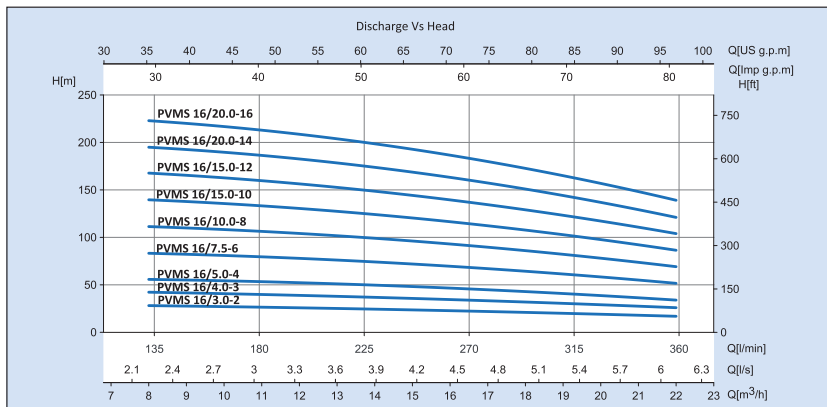
S.No.	Product Name	HP	Stage	Pipe Size (inches) BSP	Total Head in Meters	Discharge (m <sup>3</sup> /h)							
						5	6	7	8	9	10	11	12
1	PVMS 8/2.0-4	2.0	4	1½"x 1½"	Total Head in Meters	40	39	38	35	34	31	29	26
2	PVMS 8/3.0-6	3.0	6	1½"x 1½"		60	58	56	52	51	47	43	39
3	PVMS 8/4.0-8	4.0	8	1½"x 1½"		81	78	76	70	68	63	58	52
4	PVMS 8/5.0-10	5.0	10	1½"x 1½"		101	97	94	87	85	77	72	65
5	PVMS 8/7.5-14	7.5	14	1½"x 1½"		142	136	132	122	119	109	101	91
6	PVMS 8/7.5-16	7.5	16	1½"x 1½"		162	156	151	140	136	126	116	104
7	PVMS 8/10.0-20	10.0	20	1½"x 1½"		203	195	189	175	170	157	145	130

PVMS 8

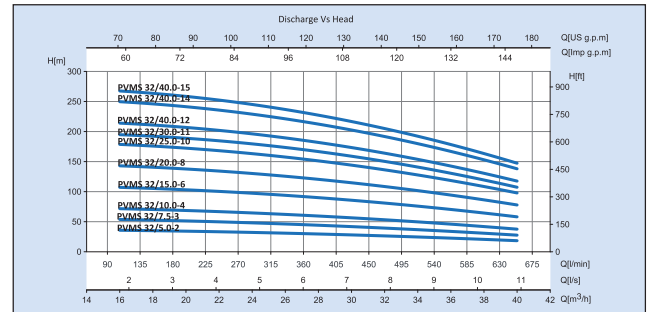
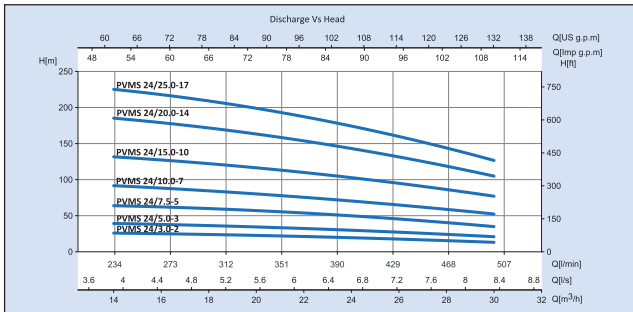


S.No.	Product Name	HP	Stage	Pipe Size (inches) BSP	Total Head in Meters	Discharge (m <sup>3</sup> /h)							
						8	10	12	14	16	18	20	22
1	PVMS 16/3.0-2	3.0	2	2" x 2"	Total Head in Meters	28	27	26	25	22	21	19	17
2	PVMS 16/4.0-3	4.0	3	2" x 2"		42	41	39	37	34	32	29	26
3	PVMS 16/5.0-4	5.0	4	2" x 2"		56	54	52	50	46	44	38	34
4	PVMS 16/7.5-6	7.5	6	2" x 2"		83	81	78	75	69	64	58	52
5	PVMS 16/10.0-8	10.0	8	2" x 2"		111	108	105	100	92	86	77	70
6	PVMS 16/15.0-10	15.0	10	2" x 2"		139	136	131	125	115	108	97	87
7	PVMS 16/15.0-12	15.0	12	2" x 2"		167	163	157	150	138	129	116	105
8	PVMS 16/20.0-14	20.0	14	2" x 2"		194	190	184	175	161	151	136	122
9	PVMS 16/20.0-16	20.0	20	2" x 2"		222	217	210	200	184	173	156	140

PVMS 16



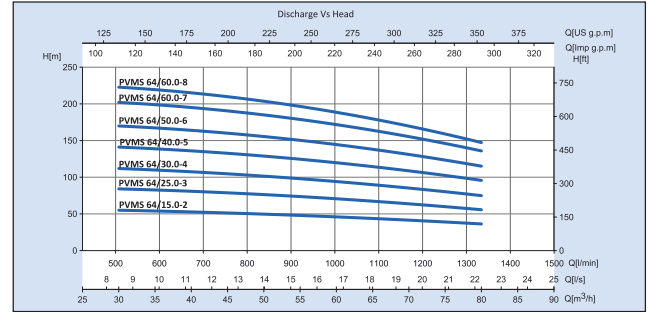
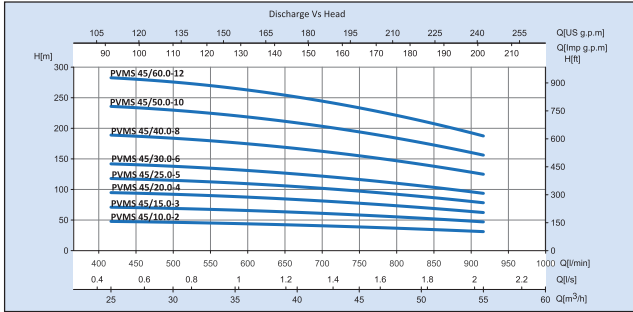
S.No.	Product Name	HP	Stage	Pipe Size (inches) BSP	Total Head in Meters	Discharge (m <sup>3</sup> /h)							
						14	18	20	22	24	26	28	30
1	PVMS 24/3.0-2	3.0	2	2" x 2"		26	24	22	21	20	18	15	13
2	PVMS 24/5.0-3	5.0	3	2" x 2"		39	37	34	32	30	27	24	21
3	PVMS 24/7.5-5	7.5	5	2" x 2"		64	60	56	54	51	45	40	35
4	PVMS 24/10.0-7	10.0	7	2" x 2"		91	86	80	75	70	65	58	53
5	PVMS 24/15.0-10	15.0	10	2" x 2"		131	124	115	111	102	95	85	78
6	PVMS 24/20.0-14	20.0	14	2" x 2"		185	174	161	152	144	133	119	104
7	PVMS 24/25.0-17	25.0	17	2" x 2"		225	212	196	185	175	162	145	125



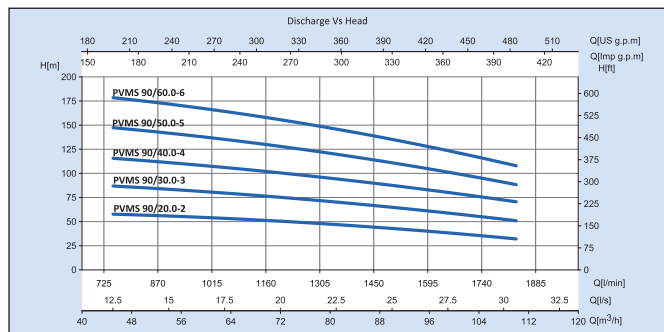
S.No.	Product Name	HP	Stage	Pipe Size (inches) BSP	Total Head in Meters	Discharge (m <sup>3</sup> /h)						
						16	20	24	28	32	36	40
1	PVMS 32/5.0-2	5.0	2	2½" x 2½"		36	34	32	29	27	23	18
2	PVMS 32/7.5-3	7.5	3	2½" x 2½"		54	51	48	44	39	35	27
3	PVMS 32/10.0-4	10.0	4	2½" x 2½"		72	68	65	59	53	47	37
4	PVMS 32/15.0-6	15.0	6	2½" x 2½"		108	102	97	90	81	72	57
5	PVMS 32/20.0-8	20.0	8	2½" x 2½"		144	137	129	120	109	97	76
6	PVMS 32/25.0-10	25.0	10	2½" x 2½"		180	171	162	151	137	121	96
7	PVMS 32/30.0-11	30.0	11	2½" x 2½"		196	188	178	166	151	134	105
8	PVMS 32/40.0-12	40.0	12	2½" x 2½"		216	205	194	182	165	146	115
9	PVMS 32/40.0-14	40.0	14	2½" x 2½"		252	239	227	212	193	171	135
10	PVMS 32/40.0-15	40.0	15	2½" x 2½"		270	256	243	227	206	183	144

S.No.	Product Name	HP	Stage	Pipe Size (inches) BSP	Total Head in Meters	Discharge (m <sup>3</sup> /h)						
						25	30	35	40	45	50	55
1	PVMS 45/10.0-2	10.0	2	3" x 3"		48	46	44	42	39	35	31
2	PVMS 45/15.0-3	15.0	3	3" x 3"		71	69	66	63	58	53	47
3	PVMS 45/20.0-4	20.0	4	3" x 3"		95	92	88	84	77	71	62
4	PVMS 45/25.0-5	25.0	5	3" x 3"		118	115	110	105	97	89	78
5	PVMS 45/30.0-6	30.0	6	3" x 3"		142	138	132	125	116	107	93
6	PVMS 45/40.0-8	40.0	8	3" x 3"		189	184	176	167	154	143	124
7	PVMS 45/50.0-10	50.0	10	3" x 3"		236	230	220	209	193	179	155
8	PVMS 45/60.0-12	60.0	12	3" x 3"		283	276	264	251	233	215	186





S.No.	Product Name	HP	Stage	Pipe Size (inches) BSP	Total Head in Meters	Discharge (m³/h)					
						30	40	50	60	70	80
1	PVMS 64/15.0-2	15.0	2	4" x 4"		55	53	49	46	42	36
2	PVMS 64/25.0-3	25.0	3	4" x 4"		84	81	76	71	63	56
3	PVMS 64/30.0-4	30.0	4	4" x 4"		112	107	102	94	85	75
4	PVMS 64/40.0-5	40.0	5	4" x 4"		141	136	129	120	108	96
5	PVMS 64/50.0-6	50.0	6	4" x 4"		170	164	155	145	131	115
6	PVMS 64/60.0-7	60.0	7	4" x 4"		202	195	185	172	155	136
7	PVMS 64/60.0-8	60.0	8	4" x 4"		223	215	203	189	170	147



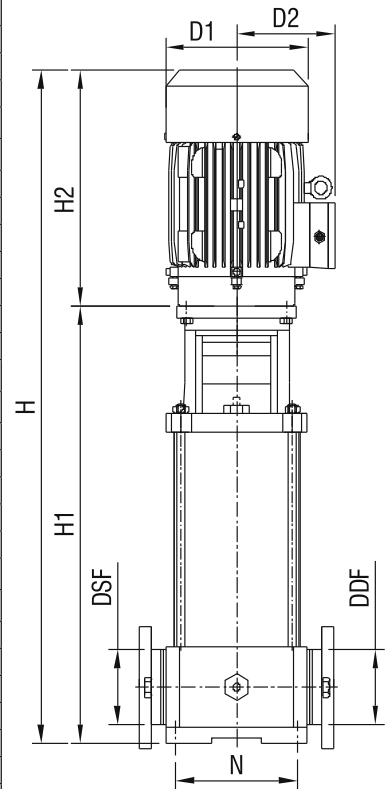
S.No.	Product Name	HP	Stage	Pipe Size (inches) BSP	Total Head in Meters	Discharge (m³/h)							
						45	50	60	70	80	90	100	110
1	PVMS 90/20.0-2	20.0	2	4" x 4"		58	56	55	51	47	43	38	32
2	PVMS 90/30.0-3	30.0	3	4" x 4"		87	85	81	76	71	65	58	51
3	PVMS 90/40.0-4	40.0	4	4" x 4"		116	113	108	101	95	88	80	70
4	PVMS 90/50.0-5	50.0	5	4" x 4"		148	144	137	129	121	112	100	88
5	PVMS 90/60.0-6	60.0	6	4" x 4"		179	175	166	157	147	136	123	107

## Dimension

Product Name	Pipe Size DSF & DDF	All Dimensions are in mm					N	Weight (kg)
		H1	H2	H	D1	D2		
PVMS 2/1.00-7	1" x 1"	358	232	590	160	124	120 x 120	25
PVMS 2/1.50-11	1" x 1"	430	232	662	160	124	120 x 120	30
PVMS 2/1.50-13	1" x 1"	479	232	711	160	124	120 x 120	35
PVMS 2/2.00-15	1" x 1"	515	266	781	178	126	120 x 120	35
PVMS 2/3.00-18	1" x 1"	569	287	856	178	130	120 x 120	40
PVMS 2/3.00-22	1" x 1"	641	287	928	178	130	120 x 120	45
PVMS 2/4.00-26	1" x 1"	722	310	1032	195	135	120 x 120	50

(contd...)

Product Name	Pipe Size DSF & DDF	All Dimensions are in mm					N	Weight (kg)
		H1	H2	H	D1	D2		
PVMS 4/1.00-4	1¼" x 1¼"	340	232	572	160	124	120 x 120	20
PVMS 4/1.50-6	1¼" x 1¼"	394	232	626	160	124	120 x 120	25
PVMS 4/2.00-8	1¼" x 1¼"	461	266	727	178	126	120 x 120	30
PVMS 4/3.00-12	1¼" x 1¼"	569	287	856	178	130	120 x 120	35
PVMS 4/4.00-14	1¼" x 1¼"	632	310	942	195	135	120 x 120	35
PVMS 4/4.00-16	1¼" x 1¼"	686	310	996	195	135	120 x 120	40
PVMS 4/4.00-19	1¼" x 1¼"	767	310	1077	195	135	120 x 120	40
PVMS 4/5.00-22	1¼" x 1¼"	848	310	1158	195	135	120 x 120	50
PVMS 8/2.00-4	1½" x 1½"	440	266	706	178	126	210x130	25
PVMS 8/3.00-6	1½" x 1½"	500	287	787	178	130	210x130	40
PVMS 8/4.00-8	1½" x 1½"	570	310	880	195	135	210x130	45
PVMS 8/5.00-10	1½" x 1½"	630	310	940	195	135	210x130	55
PVMS 8/7.50-14	1½" x 1½"	774	400	1174	260	182	210x130	80
PVMS 8/7.50-16	1½" x 1½"	834	400	1234	260	182	210x130	80
PVMS 8/10.00-20	1½" x 1½"	954	400	1354	260	182	210x130	90
PVMS 16/3.00-2	2" x 2"	410	287	697	178	130	210x130	40
PVMS 16/4.00-3	2" x 2"	465	310	775	195	135	210x130	50
PVMS 16/5.00-4	2" x 2"	510	310	820	195	135	210x130	55
PVMS 16/7.50-6	2" x 2"	626	400	1026	260	182	210x130	75
PVMS 16/10.00-8	2" x 2"	716	400	1116	260	182	210x130	80
PVMS 16/15.00-10	2" x 2"	837	520	1357	307	220	210x130	145
PVMS 16/15.00-12	2" x 2"	927	520	1447	307	220	210x130	145
PVMS 16/20.00-14	2" x 2"	1017	520	1537	307	220	210x130	165
PVMS 16/20.00-16	2" x 2"	1107	520	1627	307	220	210x130	165
PVMS 24/3.0-2	2" x 2"	410	287	697	175	137	210x130	47
PVMS 24/5.0-3	2" x 2"	465	310	775	219	169	210x130	58
PVMS 24/7.5-5	2" x 2"	581	400	981	258	188	210x130	78
PVMS 24/10.0-7	2" x 2"	671	400	1071	258	188	210x130	87
PVMS 24/15.0-10	2" x 2"	837	520	1357	315	242	210x130	150
PVMS 24/20.0-14	2" x 2"	1017	520	1537	315	242	210x130	172
PVMS 24/25.0-17	2" x 2"	1152	520	1672	315	242	210x130	183
PVMS 32/5.00-2	2½" x 2½"	634	310	944	195	135	255x175	80
PVMS 32/7.50-3	2½" x 2½"	724	400	1124	260	182	255x175	90
PVMS 32/10.00-4	2½" x 2½"	794	400	1194	260	182	255x175	100
PVMS 32/15.00-6	2½" x 2½"	964	520	1484	307	220	255x175	170
PVMS 32/20.00-8	2½" x 2½"	1104	520	1624	307	220	255x175	180
PVMS 32/25.00-10	2½" x 2½"	1244	520	1764	307	220	255x175	210
PVMS 32/30.00-11	2½" x 2½"	1314	595	1909	353	234	255x175	250
PVMS 32/40.00-12	2½" x 2½"	1381	632	2013	386	254	255x175	320
PVMS 32/40.00-14	2½" x 2½"	1524	632	2156	386	254	255x175	320
PVMS 32/40.00-15	2½" x 2½"	1594	632	2226	386	254	255x175	320
PVMS 45/10.00-2	3" x 3"	715	400	1115	260	182	255x175	110
PVMS 45/15.00-3	3" x 3"	825	520	1345	307	220	255x175	180
PVMS 45/20.00-4	3" x 3"	905	520	1425	307	220	255x175	190
PVMS 45/25.00-5	3" x 3"	985	520	1505	307	220	255x175	210
PVMS 45/30.00-6	3" x 3"	1065	595	1660	353	234	255x175	255
PVMS 45/40.00-8	3" x 3"	1225	632	1857	386	254	255x175	325
PVMS 45/50.00-10	3" x 3"	1385	632	2017	435	277	255x175	350
PVMS 45/60.00-12	3" x 3"	1545	668	2213	435	277	255x175	420
PVMS 64/15.00-2	4" x 4"	754	520	1274	307	220	266x190	109
PVMS 64/25.00-3	4" x 4"	836	520	1356	307	220	266x190	193
PVMS 64/30.00-4	4" x 4"	919	595	1514	353	234	266x190	207
PVMS 64/40.00-5	4" x 4"	1001	632	1633	386	254	266x190	297
PVMS 64/50.00-6	4" x 4"	1084	632	1716	435	277	266x190	367
PVMS 64/60.00-7	4" x 4"	1166	668	1834	435	277	266x190	401
PVMS 64/60.00-8	4" x 4"	1248	668	1916	435	277	266x190	405
PVMS 90/20.00-2	4" x 4"	773	520	1293	307	220	280x199	175
PVMS 90/30.00-3	4" x 4"	865	595	1460	353	234	280x199	226
PVMS 90/40.00-4	4" x 4"	957	632	1589	386	254	280x199	317
PVMS 90/50.00-5	4" x 4"	1049	632	1681	435	277	280x199	392
PVMS 90/60.00-6	4" x 4"	1141	668	1809	435	277	280x199	425





# Horizontal Multistage Pumps

**PARANAA**<sup>®</sup> horizontal multistage pumps are a class apart in terms of construction and superior performance. These pumps are designed to work very quietly and withstand high pressures without any drop in pressure. The construction of these pumps are very robust and in the case of pressure boosting application it allows them to operate smoothly even during frequent starts and stops. In our DBPS & DBPI models, all the wetted parts including the suction chamber, delivery chamber, Impellers, Diffusers and other parts that are in contact with the pumped liquid are fully Stainless Steel.

All the stainless steel components are manufactured very precisely to achieve the hydraulic efficiency as per our original design. The design of our high efficiency Stainless Steel Impellers directly result in very low maintenance of the pump. The usage of high grade material with minimum watt loss for the lamination and Intelligent winding design are some of the key strengths of our strong motor. Especially when a multistage pump is used in pressure boosting application it is essential to have a strong motor for handling the load and achieve high energy savings.

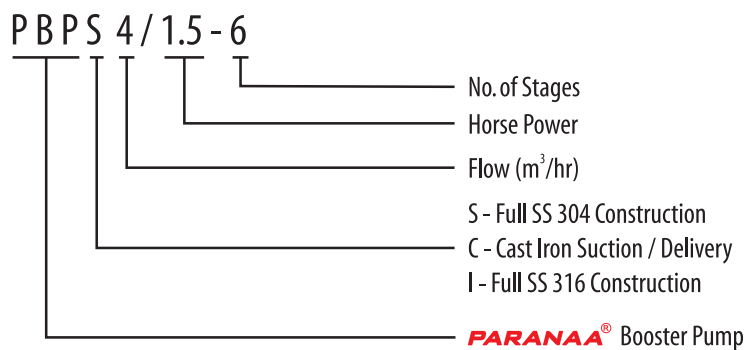
## Area of Usage

- Small Homes, Large Homes, Apartments & Hotels
- Air Conditioning & Cooling Systems
- Industrial Cleaning
- R.O Plants
- Water Treatment & Purification
- General water Transfer or Irrigation around the home.

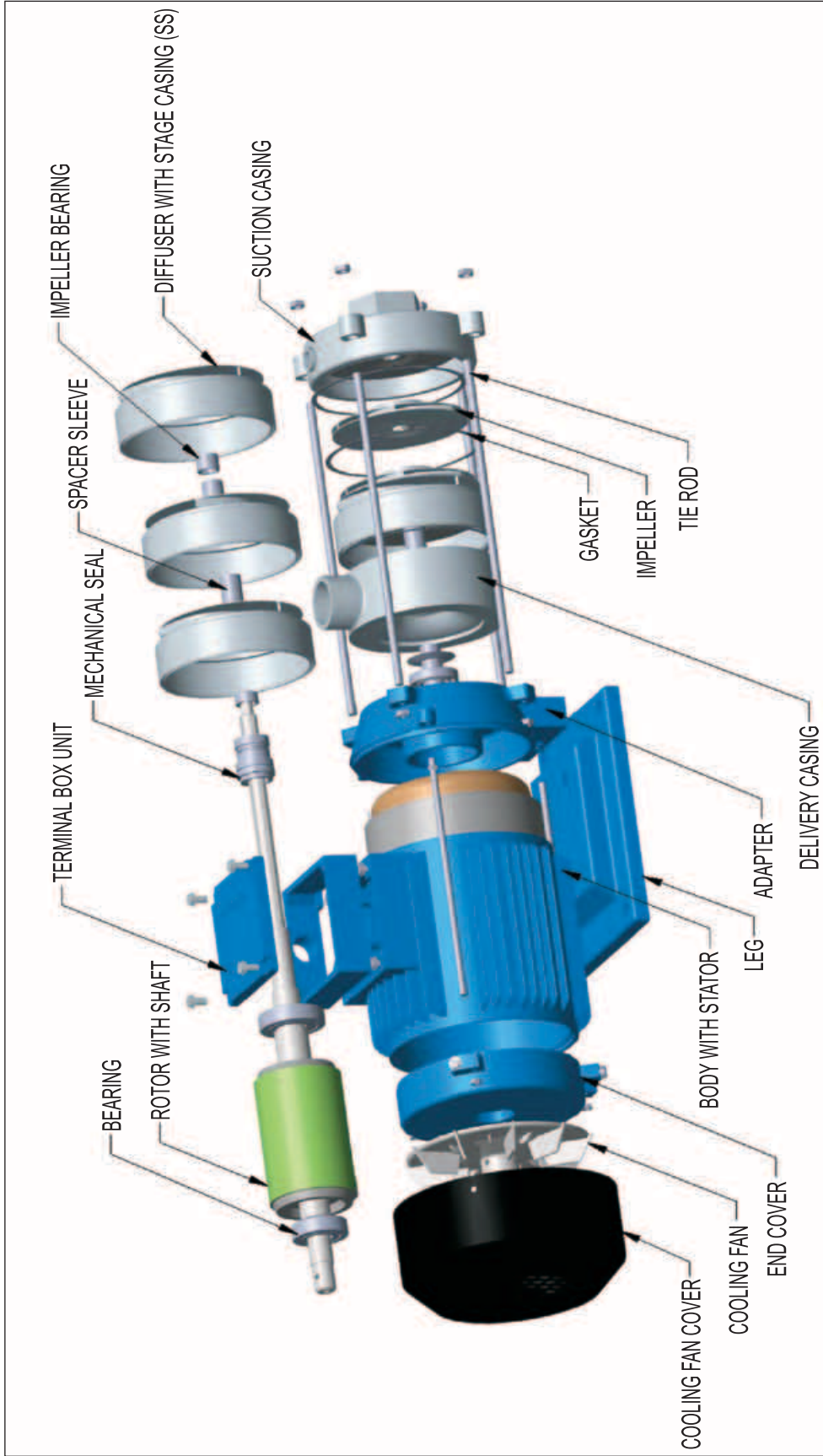
## Applications

- Pressure Boosting in Houses, Villas, Small Buildings
- Feed Pumps for R.O. Systems, Mills etc.
- Recycling of Refrigerants
- Very Light & Non Aggressive Chemicals Transfer
- Water Distribution in Greenhouses

## Product Reference



## Horizontal Multistage Pumps



# PBPS - SS Horizontal Multistage Pumps



## Characteristics

- High Efficiency motor
- Clean water not containing abrasive particles
- Heavy duty construction
- Liquid temperature: -15°C to 99°C
- Ambient temperature upto 40°C

## Materials of Construction

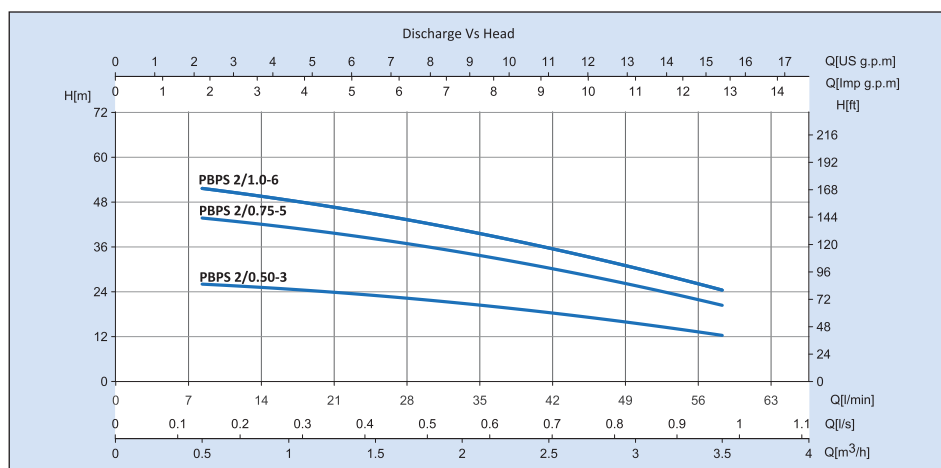
Part Name	Material
Motor Housing	Aluminium / Cast Iron
Pump Suction	SS 304 / Cast Iron / SS 316
Pump Delivery	SS 304 / Cast Iron / SS 316
Impeller	SS 304 / SS 316
Diffuser	SS 304 / SS 316
Shaft	SS 410
Mechanical Seal	Tungsten Carbide Vs. Graphite

## Performance

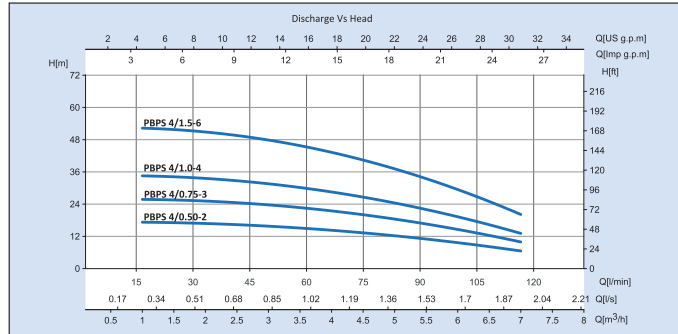
Single Phase, 3000 RPM (Syn.), 50 Hz, 220-240 V, Capacitor start and run motor

Three Phase, 3000 RPM (Syn.), 50 Hz, 415 V

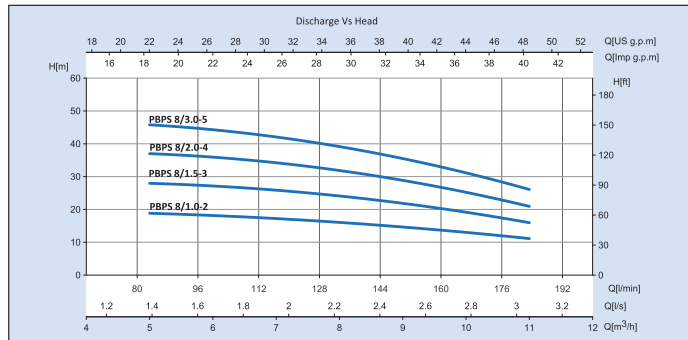
S.No.	Product Name	HP	Stage	Pipe Size (inches) BSP	Total Head in Meters	Discharge (m <sup>3</sup> /h)							PBPS 2
						0.5	1	1.5	2	2.5	3	3.5	
1.	PBPS 2/0.50-3	0.50	3	1" x 1"	Total Head in Meters	26	25	23	20	19	16	12	PBPS 2
2.	PBPS 2/0.75-5	0.75	5	1" x 1"		44	41	38	34	31	26	20	
3.	PBPS 2/1.0-6	1.0	6	1" x 1"		52	48	45	40	36	31	24	



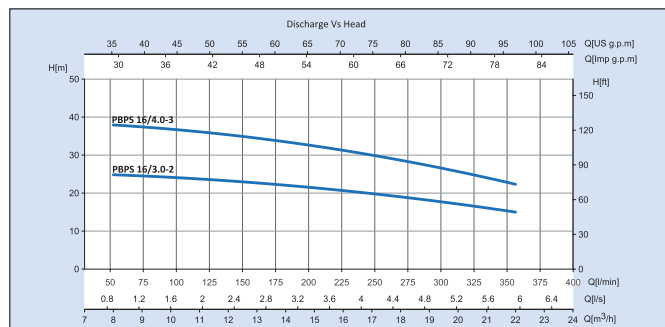
S.No.	Product Name	HP	Stage	Pipe Size (inches) BSP	Total Head in Meters	Discharge (m <sup>3</sup> /h)						
						1	2	3	4	5	6	7
1.	PBPS 4/0.50-2	0.50	2	1" x 1¼"		17.5	16.5	15.5	14.5	12.5	9.5	6.5
2.	PBPS 4/0.75-3	0.75	3	1" x 1¼"		26	25	23	22	19	14	10
3.	PBPS 4/1.0-4	1.0	4	1" x 1¼"		35	33	31	29	25	19	13
4.	PBPS 4/1.5-6	1.5	6	1" x 1¼"		53	50	47	44	38	29	20



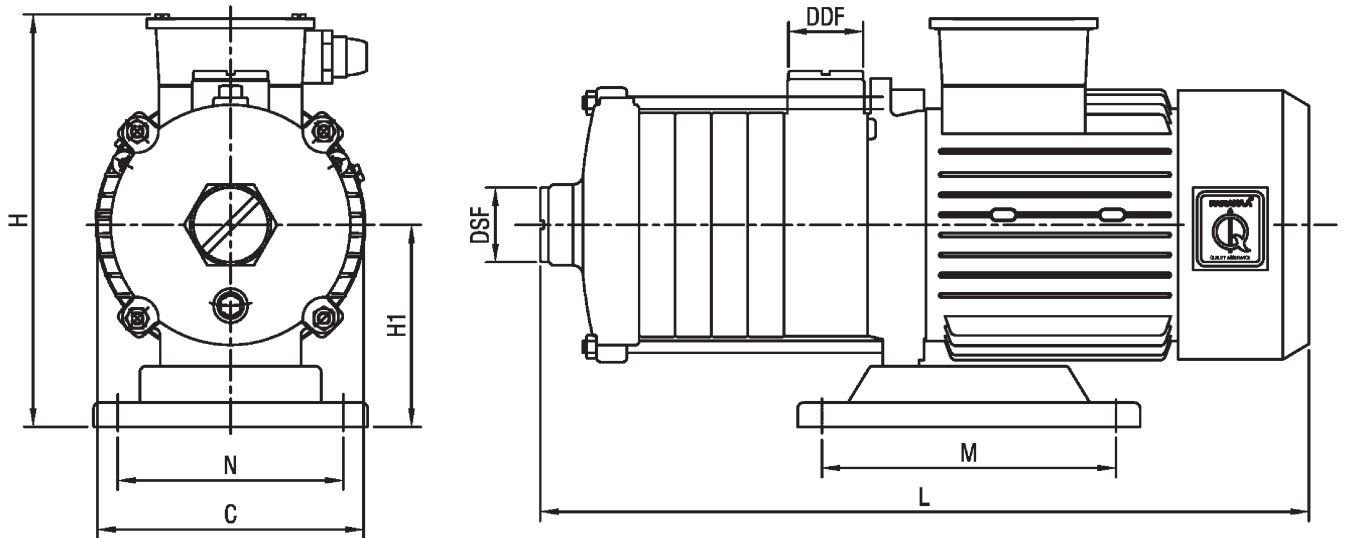
S.No.	Product Name	HP	Stage	Pipe Size (inches) BSP	Total Head in Meters	Discharge (m <sup>3</sup> /h)						
						5	6	7	8	9	10	11
1.	PBPS 8/1.0-2	1.0	2	2" x 2"		19	18	17	16	15	13	11
2.	PBPS 8/1.5-3	1.5	3	2" x 2"		28	27	26	24	22	19	16
3.	PBPS 8/2.0-4	2.0	4	2" x 2"		37	36	34	32	29	25	21
4.	PBPS 8/3.0-5	3.0	5	2" x 2"		46	44	42	39	36	31	26



S.No.	Product Name	HP	Stage	Pipe Size (inches) BSP	Total Head in Meters	Discharge (m <sup>3</sup> /h)						
						8	10	12	16	18	20	22
1.	PBPS 16/3.0-2	3.0	2	2" x 2"		25	24	23	21	19	17	15
2.	PBPS 16/4.0-3	4.0	3	2" x 2"		38	37	35	31	29	26	22



## Dimension



S.No.	Product Name	DSF BSP	DDF BSP	Dimensions (mm)						Nett Weight (kg)
				C	H	H1	L	M	N	
1	PBPS 2/0.50-3	1"	1"	136	204	100	347	146	112	15
2	PBPS 2/0.75-5	1"	1"	136	204	100	383	146	112	16
3	PBPS 2/1.0-6	1"	1"	160	229	100	416	146	112	17
4	PBPS 4/0.50-2	1"	1¼"	136	204	100	349	146	112	15
5	PBPS 4/0.75-3	1"	1¼"	136	204	100	376	146	112	16
6	PBPS 4/1.00-4	1"	1¼"	160	230	100	418	146	112	17
7	PBPS 4/1.50-6	1"	1¼"	160	230	100	473	146	112	18.5
8	PBPS 8/1.00-2	1½"	1½"	160	245	126	393	146	112	11
9	PBPS 8/1.50-3	1½"	1½"	160	245	126	423	146	112	17.5
10	PBPS 8/2.00-4	1½"	1½"	160	252	126	480	146	112	22.5
11	PBPS 8/3.00-5	1½"	1½"	160	256	126	539	146	112	28
12	PBPS 16/3.00-2	2"	2"	160	252	126	465	146	112	24
13	PBPS 16/4.00-3	2"	2"	160	252	126	510	146	112	30

# PBP - Horizontal Multistage Pumps



## Characteristics

- Clean water not containing abrasive particles
- Compact & Light weight design
- Ambient temperature upto 40°C

## Material of Construction

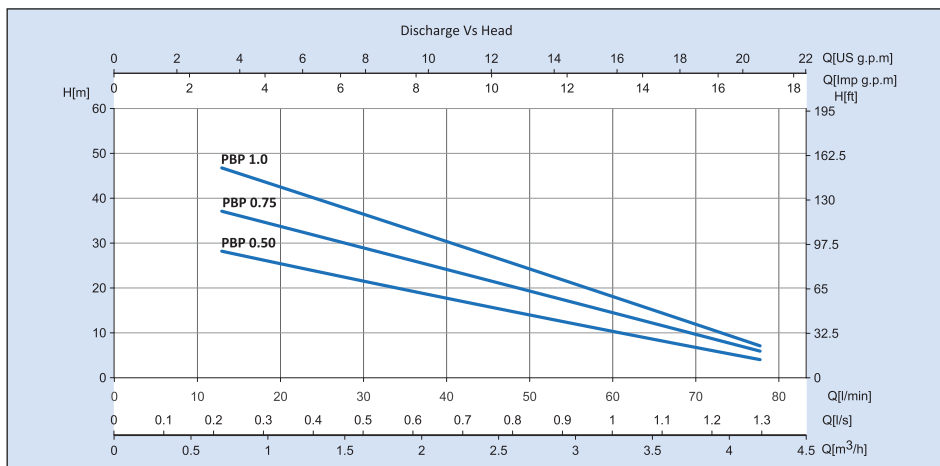
Part Name	Material
Motor Housing	Aluminium
Pump Suction	Cast Iron
Pump Delivery	Cast Iron
Impeller	Noryl
Diffuser	Noryl
Shaft	SS 410
Mechanical Seal	Tungsten Carbide Vs. Graphite

## Performance

Single Phase 3000 RPM (Syn.) 50 Hz, 220-240 V, Capacitor start and run motor

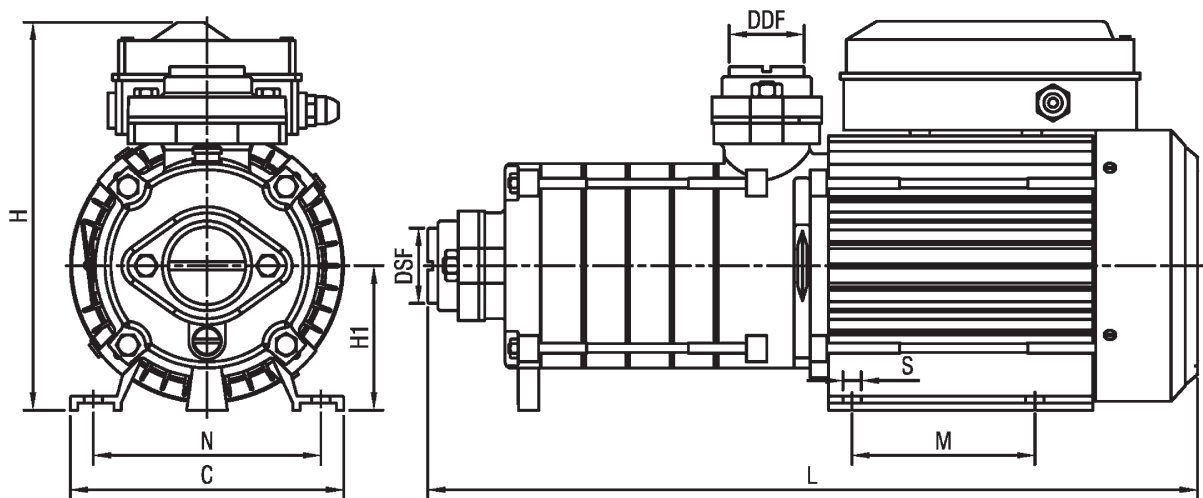
Three Phase 3000 RPM (Syn.) 50 Hz, 415 V

S.No.	Product Name	HP	Stage	Pipe Size (inches) BSP	Total Head in Meters	Discharge (m <sup>3</sup> /h)						
						0.7	1.2	1.8	2.4	3	3.6	4.2
1.	PBP 0.50	0.50	3	1" x 1"	28	25	20	16	12	8	4	
2.	PBP 0.75	0.75	4	1" x 1"	37	33	27	22	17	11	6	
3.	PBP 1.0	1.0	5	1" x 1"	47	41	34	28	21	14	7	





## Dimension



S.No.	Product Name	Dimensions (mm)							DSF BSP	DDF BSP	Nett Weight (kg)
		C	H	H1	L	M	N	S			
1.	PBP 0.5	135	191	71	352	90	112	f9	1"	1"	8.0
2.	PBP 0.75	135	191	71	380	90	112	f9	1"	1"	9.0
3.	PBP 1.0	135	191	71	416	90	112	f9	1"	1"	11.0

# PSCP - Self Priming Centrifugal Pump



## Characteristics

- Dual volute design reduces radial load on motor
- Self-Cleaning, Semi-Open Impeller
- 1-1/4" Suction and Discharge Ports
- All cast iron components CED coated to avoid corrosion and longer life.
- Liquid temperature: up to 60°C.
- Self-Priming up to 6 Meter.

## Material of Construction

Part Name	Material
Volute Casing	Cast iron FG 200 with CED coated
Impeller	Cast iron FG 200 with CED coated
Adapter	Cast iron FG 200 with CED coated
Motor body	Aluminum PDC with Powder Coated
Terminal Box & Cover	Aluminum PDC with Powder Coated
Rotor with Shaft	SS 410 + Die cast Rotor
Mechanical Seal	Graphite Vs EPDM Rubber

## Performance

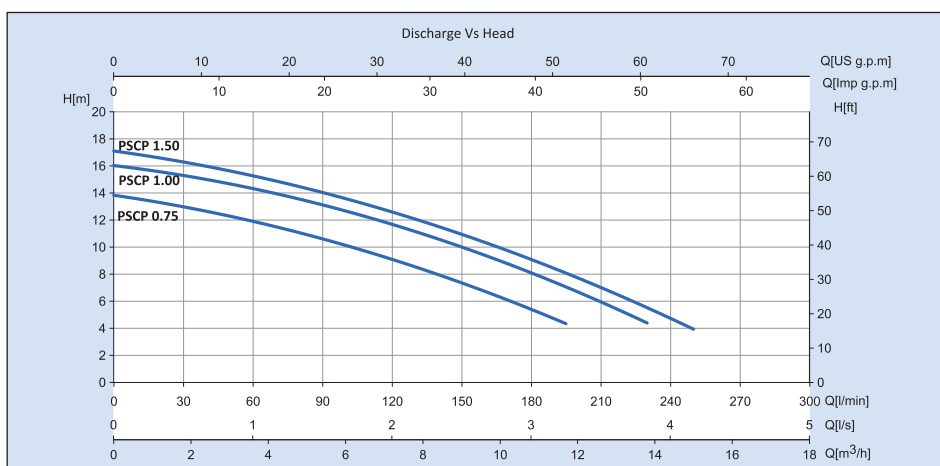
Single Phase 3000 RPM (Syn.) 50 Hz, 220-240 V, Capacitor start and run motor

Three Phase 3000 RPM (Syn.) 50 Hz, 415 V

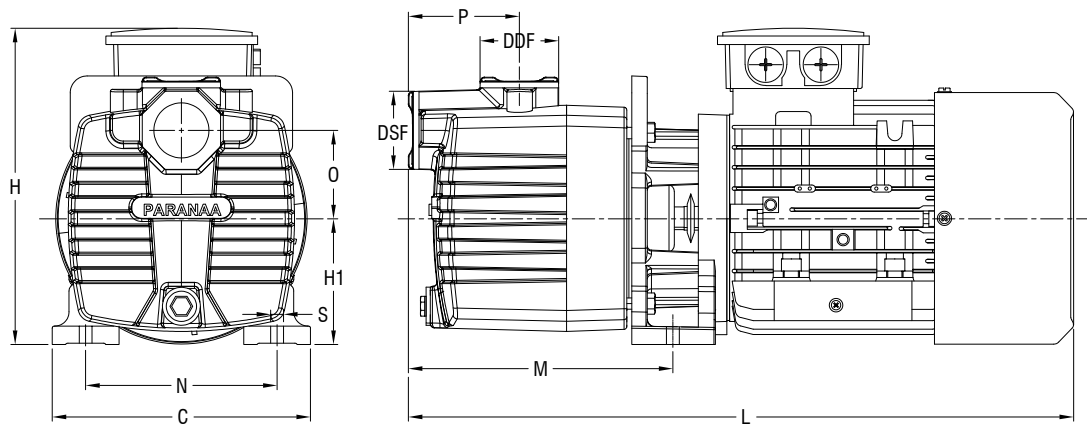
## Applications

- Circulating & Boosting
- Washdown
- Liquid transfer & Dewatering

S.No.	Product Name	Power		Pipe Size in mm	Head in Meter	Head in Meter							
		kW	HP			4	6	8	10	12	14	16	17
1	PSCP 0.75	0.55	0.75	32 x 32		195	175	145	100	55	0		
2	PSCP 1.00	0.75	1	32 x 32		230	215	185	145	110	75	0	
3	PSCP 1.50	1.1	1.5	32 x 32		250	225	195	160	130	100	40	0



## Dimension



S.No.	Product Name	Pipe Size (mm)		All Dimensions are in mm								
		DSF	DDF	L	C	H	H1	S	M	N	O	P
1	PSCP 0.75	32	32	469	182	223	90	09	186	135	62	78
2	PSCP 1.00	32	32	469	182	223	90	09	186	135	62	78
3	PSCP 1.50	32	32	469	182	223	90	09	186	135	62	78



HOUSE OF **PERFECT** **50** YEARS OF LEGACY

Manufactured by:

**Perfect Engineers**

577, S.F.No. 226/227, Arasur Pachapalayam Road  
Pachapalayam Village, SS Kulam Via  
Sarcarsamakulam, Coimbatore  
Tamil Nadu, India. PIN - 641 107

☎ +91 81110 37959 | 87540 37859

✉ enquiry@peindia.net

🌐 www.paranaa.com

The design and manufacturing of dharani products are subject to constant improvement. We reserve the rights to make revisions to our products, performance, dimensions, specifications & related information without prior notice. Kindly contact the factory for proper model selection for your application.

**Toll Free No. 1800 425 50005**